

# SCV-320H70UW

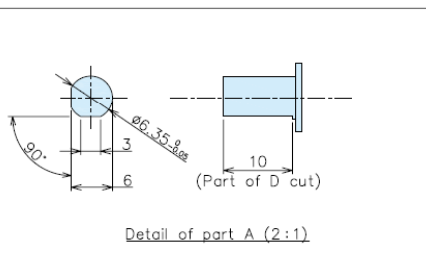
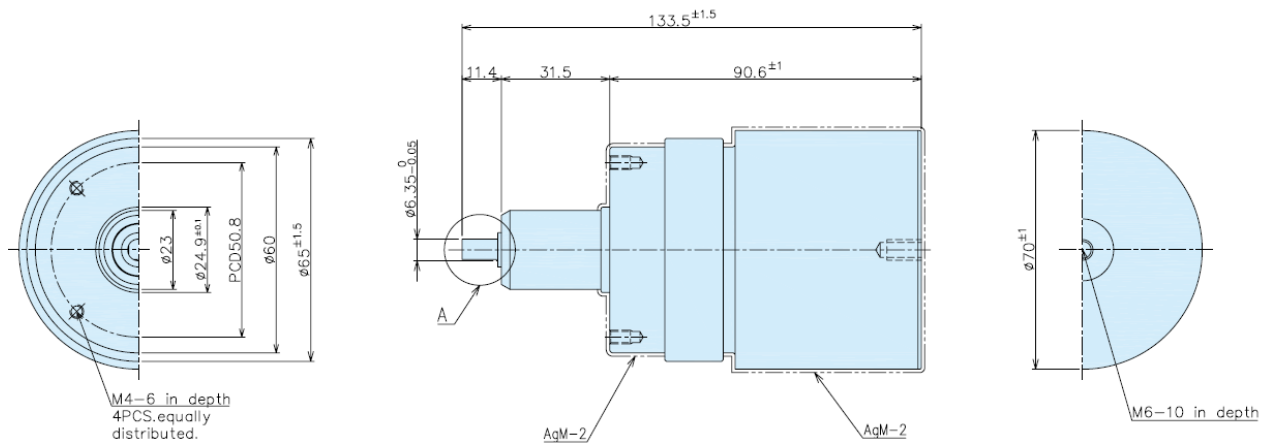
Variable Type Vacuum Capacitor(UW70 Type)

## Specification

Peak test Voltage	3 kVp (at 50,60 Hz/ 1minute)
RF Working Voltage	1.8 kVp
Capacitance nominal	200 – 2000 pF
Linear Variability	184 ± 10 pF/Turn
Maximum Current	94 Arms (13.56 MHz)
Tuner Turns	10.5 ± 0.5 Turns
Tuner Operating Torque	0.18 N·m
Total Length	133.5 mm
Mounting Length	90.6 mm
Outer Diameter	φ 70 mm
Weight	1.0 kg



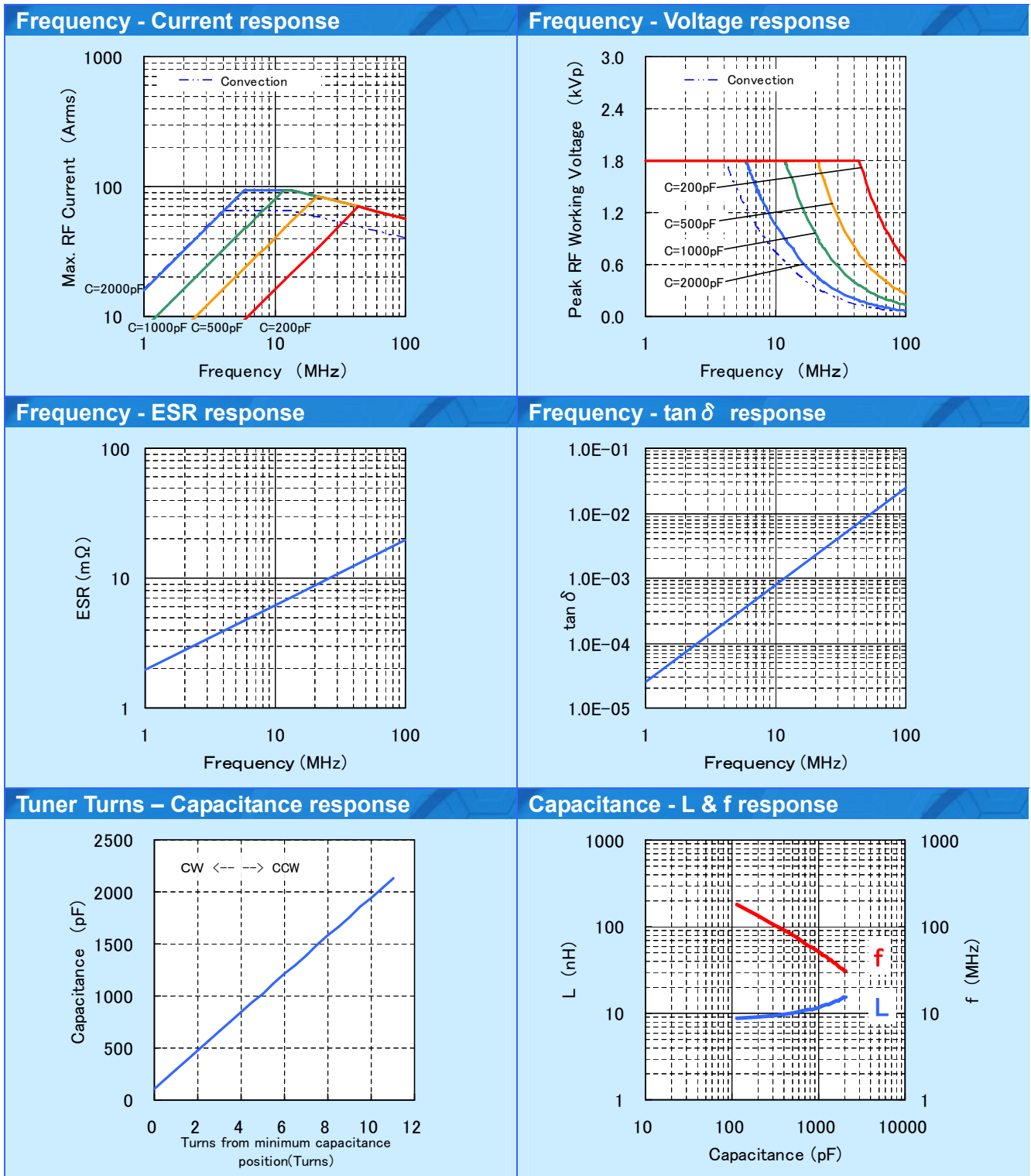
## Drawing



# SCV-320H70UW

MEIDEN

Variable Type Vacuum Capacitor (UW70 Type)



**Notice:** Current collecting system: Capacitor both-end full-face collection.

Cooling System: Conduction Cooling 50W.

Permissible surface temperature: 125°C.

(The surface temperature changes with current collecting conditions and ambient temperature.)

Ambient temperature: 25°C.

In regard to queries about these products, please contact below.

**MEIDENSHA CORPORATION**

Vacuum device Sales Department: ThinkPark Tower 2-1-1 Osaki, Shinagawa-ku, Tokyo, 141-6029 Japan

Phone: 81-3-6420-7590 Facsimile: 81-3-5745-3058 URL: <http://www.meidensha.co.jp>

As of Apr.,2011