

SCV-300.2G

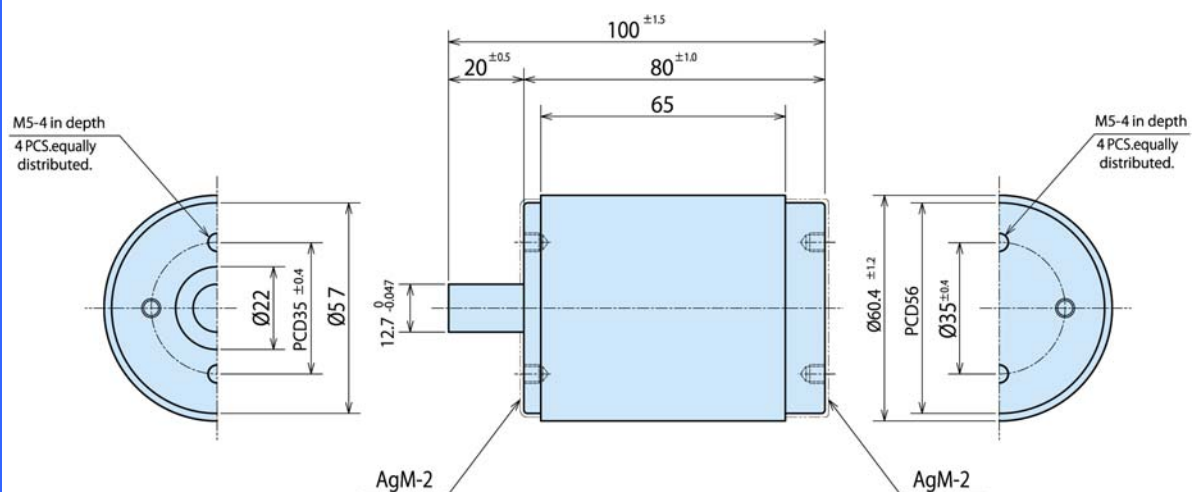
Variable Type Vacuum Capacitor (VM Type)

Specification

Peak Test Voltage	30 kV,peak (at 50,60 Hz/ 1 minute)
RF Working Voltage	18 kV,peak (at 13.56 MHz)
Capacitance nominal	6 – 20 pF
Linear Variability	4±1 pF/Turn (C≥8pF)
Maximum Current (Convection)	21 A,rms (at 13.56 MHz)
Tuner Turns	5.5±0.5 Turns
Tuner Operating Torque	19.6 N·cm
Total Length	100 mm
Mounting Length	80 mm
Outer Diameter	φ60.4 mm
Weight	0.8 kg

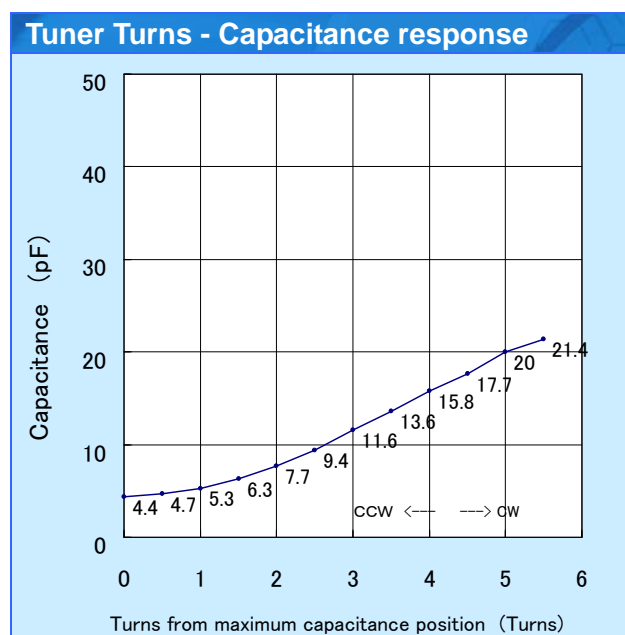
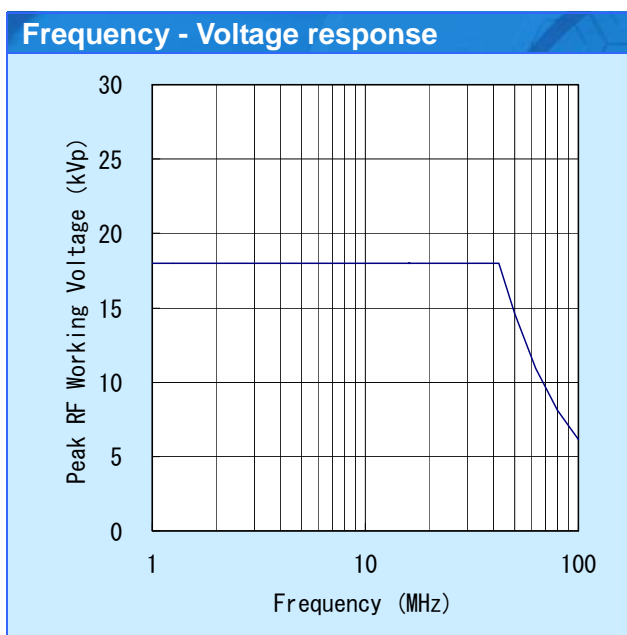
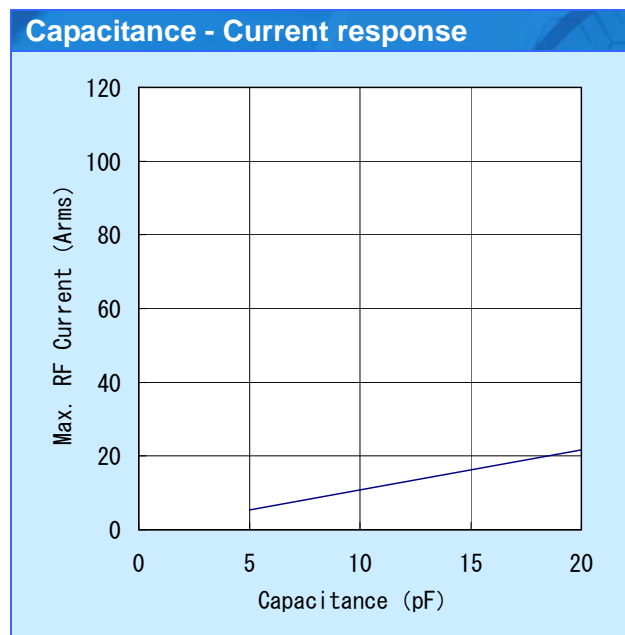
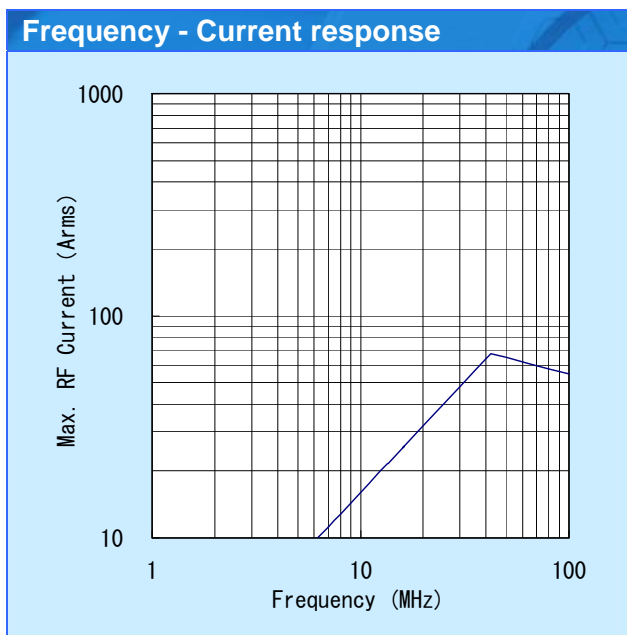


Drawing



SCV-300.2G

Variable Type Vacuum Capacitor (VM Type)



Notice:

- Current collecting system: Capacitor both-end full-face collection.
- Cooling System: Natural air-cooling.
- Permissible surface temperature: 125°C.
(The surface temperature changes with current collecting conditions and ambient temperature.)
- Ambient temperature: 25°C.

MEIDENSHA CORPORATION

ThinkPark Tower 2-1-1 Oosaki, Shinagawa-ku, Tokyo, 141-6029 Japan

Phone: 81-3-6420-7510 Facsimile: 81-3-5745-3053 URL: www.meidensha.co.jp