

SCV-152.5

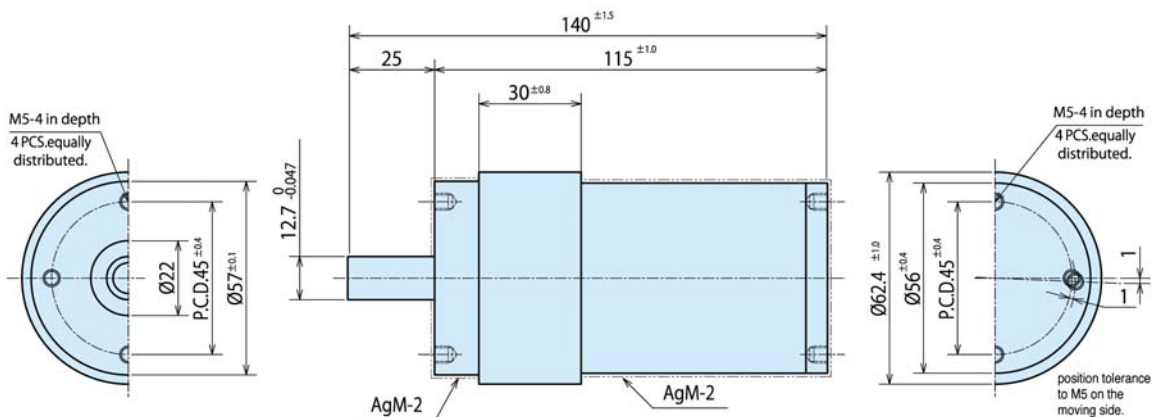
Variable Type Vacuum Capacitor (VM Type)

Specification

| | |
|------------------------|------------------------------------|
| Peak Test Voltage | 15kV, peak (at 50,60 Hz/ 1 minute) |
| RF Working Voltage | 9 kV, peak (at 13.56 MHz) |
| Capacitance nominal | 30 – 250 pF |
| Linear Variability | 21±2pF/Turn (C≥40pF) |
| Maximum Current | 100 A,rms (at 13.56 MHz) |
| Tuner Turns | 12±1.0 Turns |
| Tuner Operating Torque | 24.5 N·cm |
| Total Length | 140 mm |
| Mounting Length | 115 mm |
| Outer Diameter | φ62.4 mm |
| Weight | 0.93 kg |

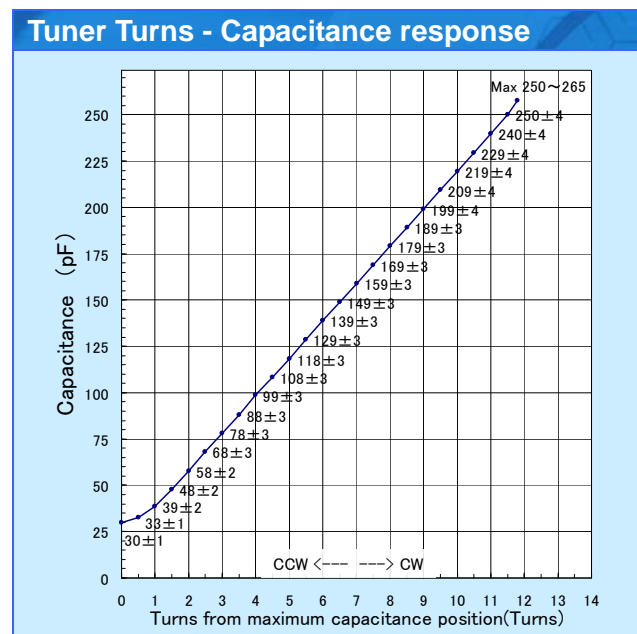
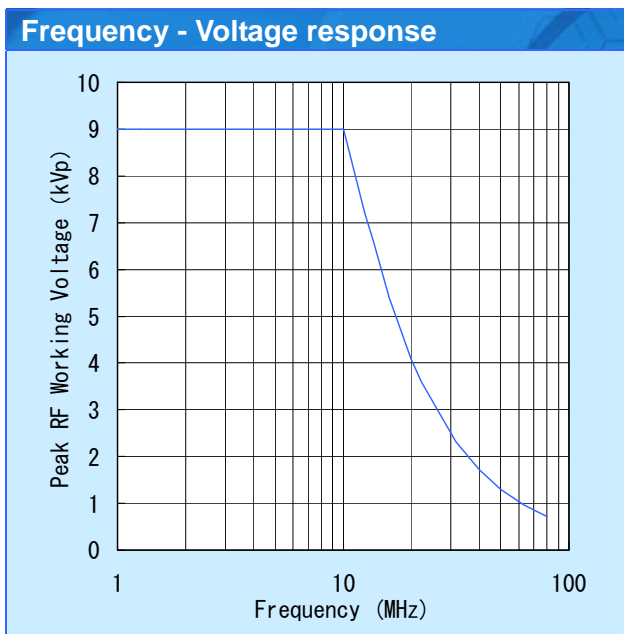
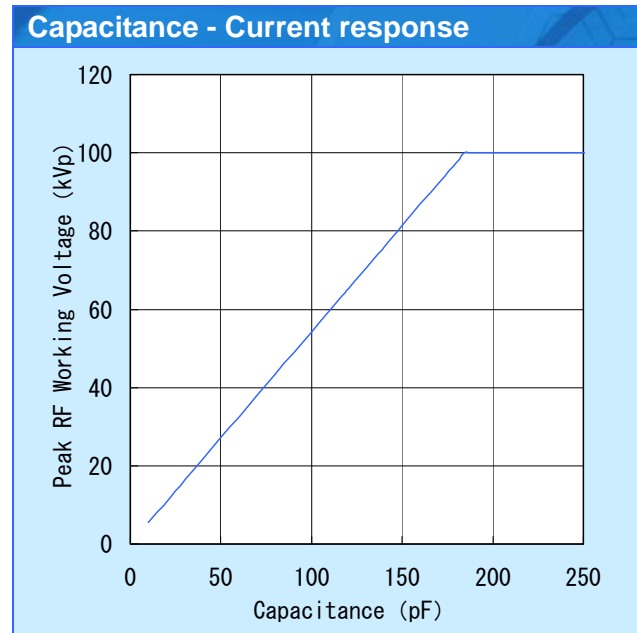
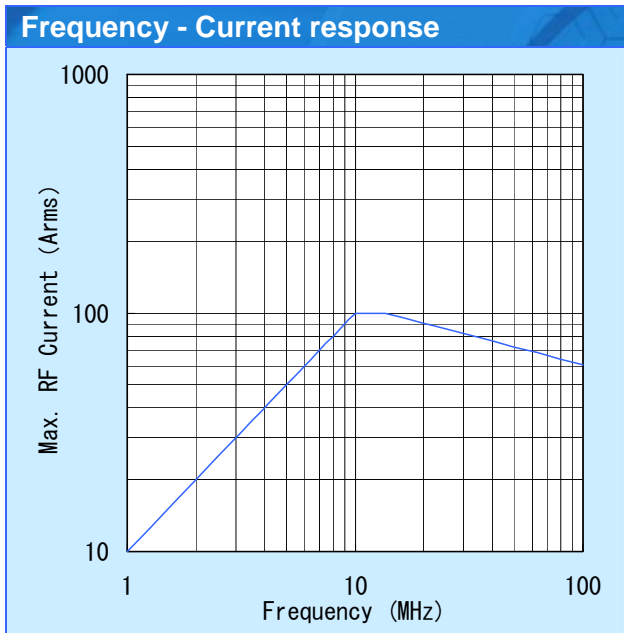


Drawing



SCV-152.5

Variable Type Vacuum Capacitor (VM Type)



Notice:

- Current collecting system: Capacitor both-end full-face collection.
- Cooling System: Convection.
- Permissible surface temperature: 125°C.
(The surface temperature changes with current collecting conditions and ambient temperature.)
- Ambient temperature: 25°C.

MEIDENSHA CORPORATION