

SCV-152.5GT

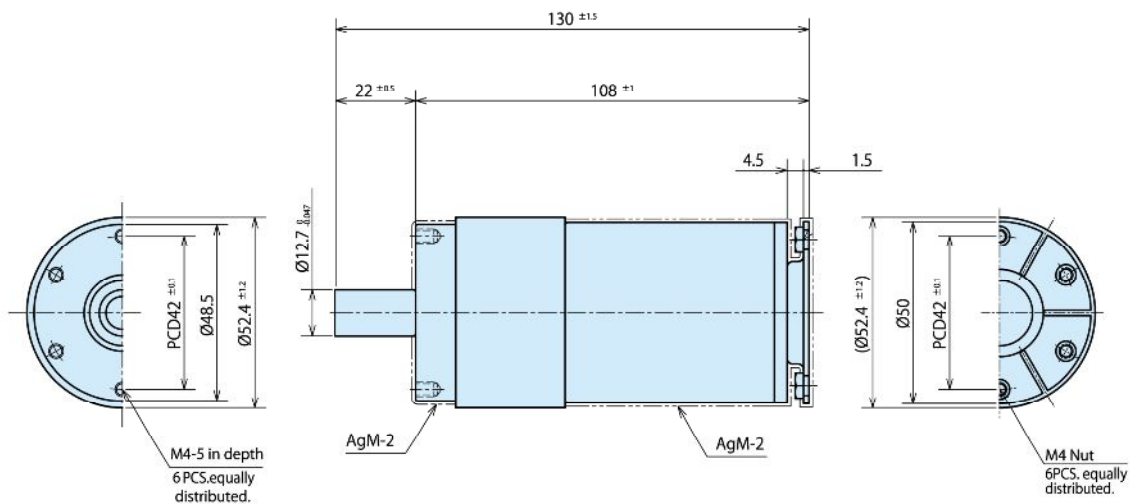
Variable Type Vacuum Capacitor (VT Type)

Specification

Peak Test Voltage	15 kVp (at 50,60 Hz/ 1 minute)
RF Working Voltage	9 kVp
Capacitance nominal	25 – 250 pF
Linear Variability	24 ± 3 pF/Turn (C ≥ 40pF)
Maximum Current	80 Arms (at 13.56 MHz)
Tuner Turns	10.5 ± 0.5 Turns
Tuner Operating Torque	0.196 Nm
Total Length	130 mm
Mounting Length	108 mm
Outer Diameter	φ52.4 mm
Weight	0.7 kg

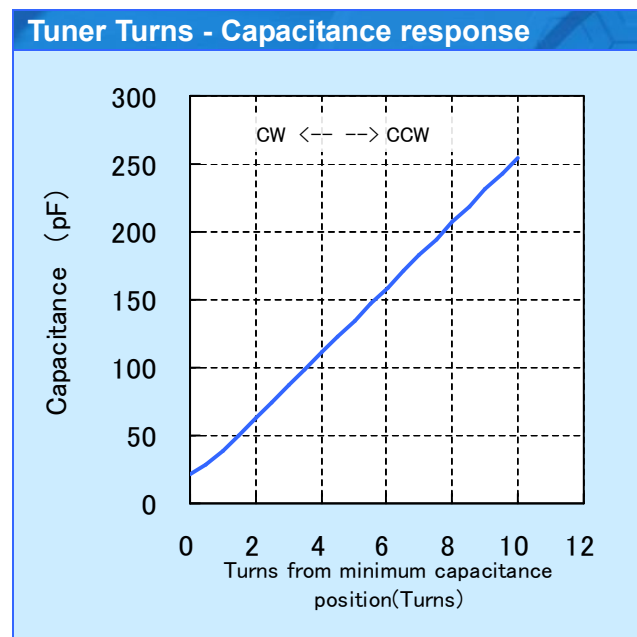
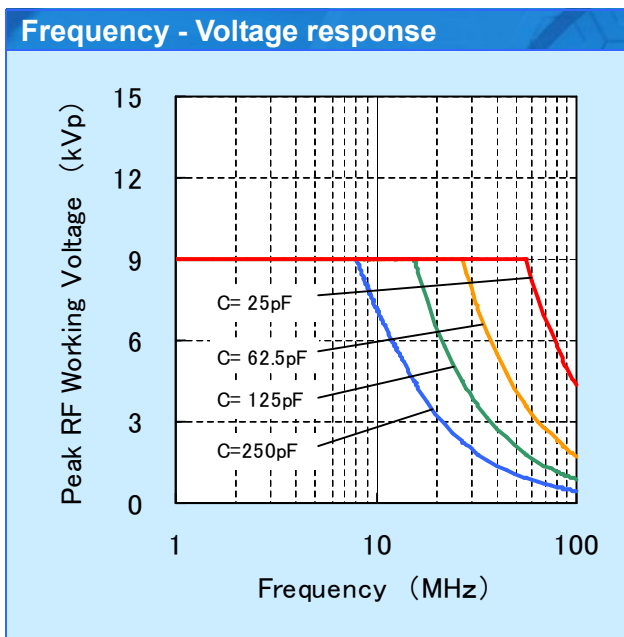
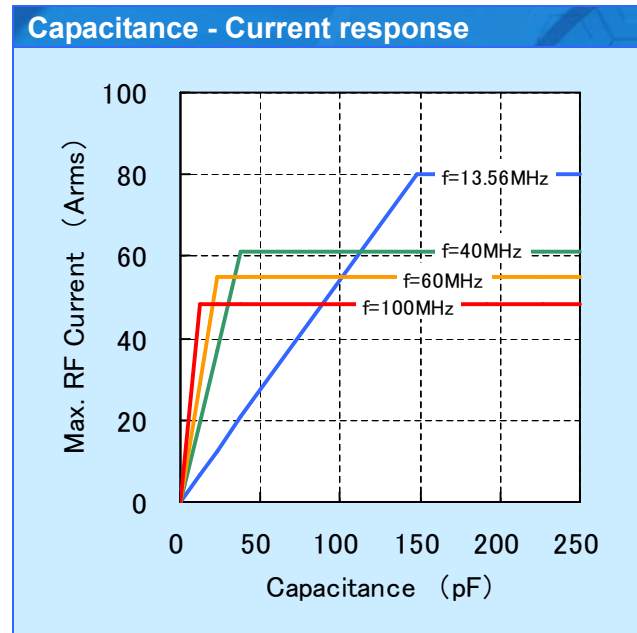
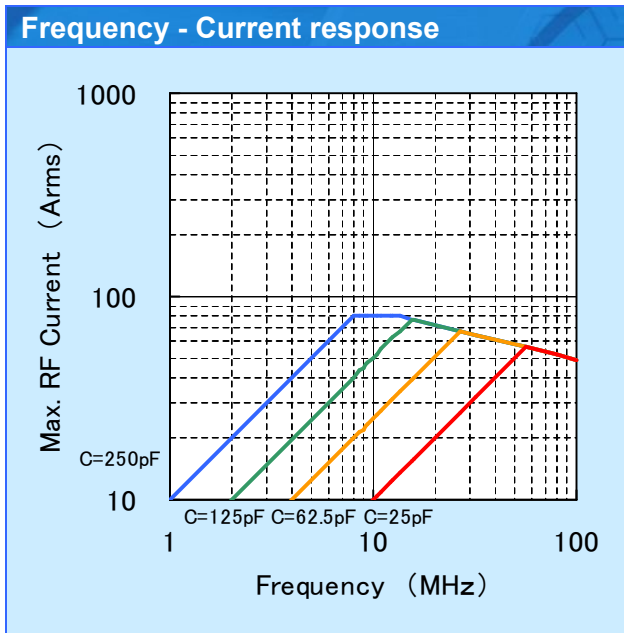


Drawing



SCV-152.5GT

Variable Type Vacuum Capacitor(VT Type)



Notice:

- Current collecting system: Capacitor both-end full-face collection.
- Cooling System: Conduction Cooling 50W.
- Permissible surface temperature: 125°C.
(The surface temperature changes with current collecting conditions and ambient temperature.)
- Ambient temperature: 25°C.

MEIDENSHA CORPORATION

ThinkPark Tower 2-1-1 Oosaki, Shinagawa-ku, Tokyo, 141-6029 Japan
 Phone: 81-3-6420-7510 Facsimile: 81-3-5745-3053 URL: www.meidensha.co.jp