

# SCV-350.3H110

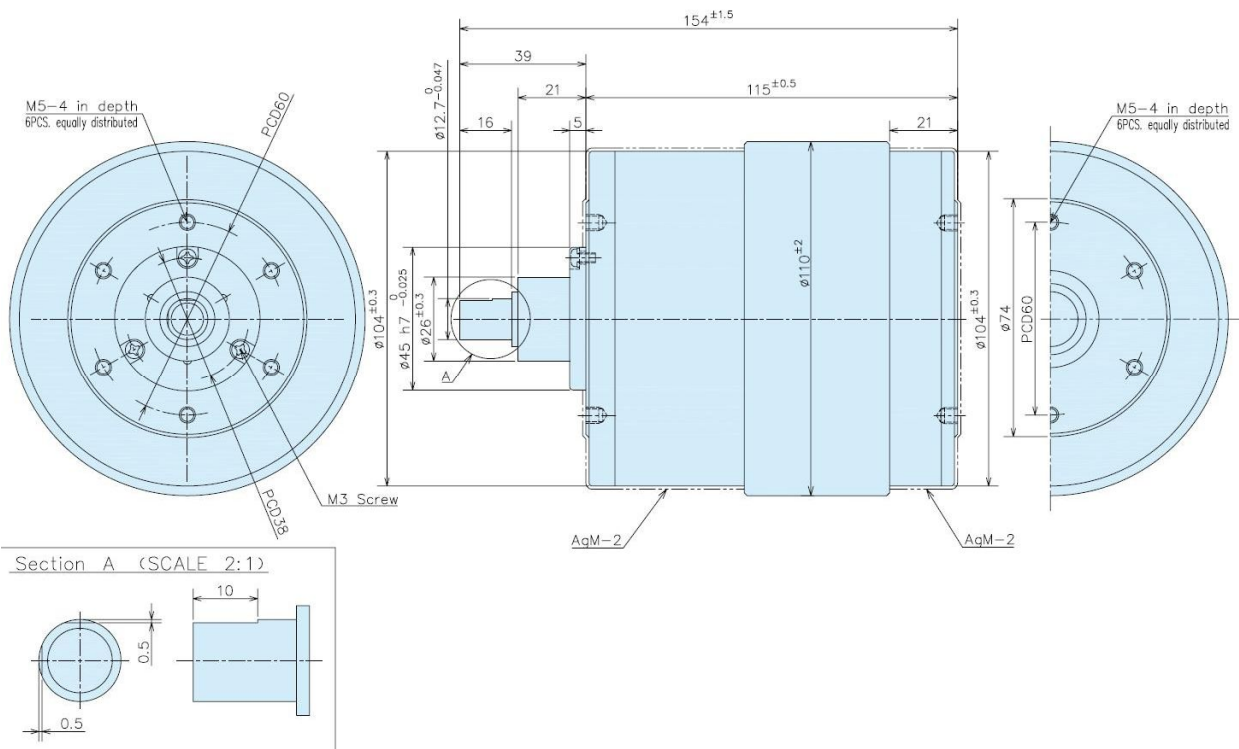
Variable Type Vacuum Capacitor(VH110 Type)

## Specification

Peak test Voltage	35 kVp (at 50,60 Hz/ 1minute)
RF Working Voltage	21 kVp
Capacitance nominal	8 – 30 pF
Linear Variability	$4.1 \pm 0.4$ pF/Turn ( $C \geq 15$ pF)
Maximum Current	38 Arms (13.56 MHz)
Tuner Turns	$14 \pm 0.5$ Turns
Tuner Operating Torque	0.18 Nm
Total Length	154 mm
Mounting Length	115 mm
Outer Diameter	$\phi 110$ mm
Weight	2.6 kg



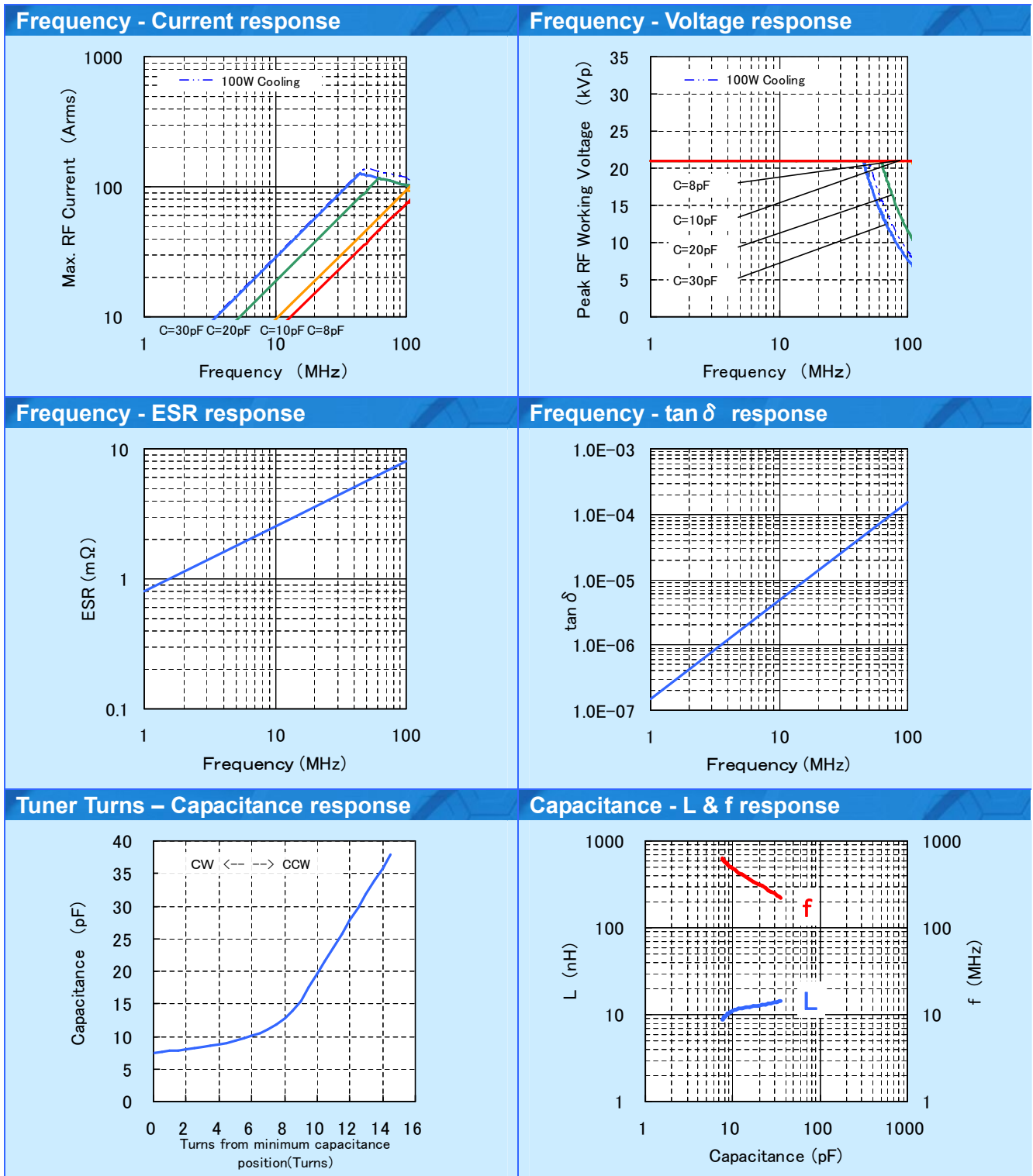
## Drawing



# SCV-350.3H110

MEIDEN

Variable Type Vacuum Capacitor (VH110 Type)



**Notice:** Current collecting system: Capacitor both-end full-face collection.

Cooling System: Conduction Cooling 50W.

Permissible surface temperature: 125°C.

(The surface temperature changes with current collecting conditions and ambient temperature.)

Ambient temperature: 25°C.

In regard to queries about these products, please contact below.

**MEIDENSHA CORPORATION**

Vacuum device Sales Department: ThinkPark Tower 2-1-1 Osaki, Shinagawa-ku, Tokyo, 141-6029 Japan

Phone: 81-3-6420-7590 Facsimile: 81-3-5745-3058 URL: <http://www.meidensha.co.jp>

As of Apr.,2011