

# SCF-151H52WR

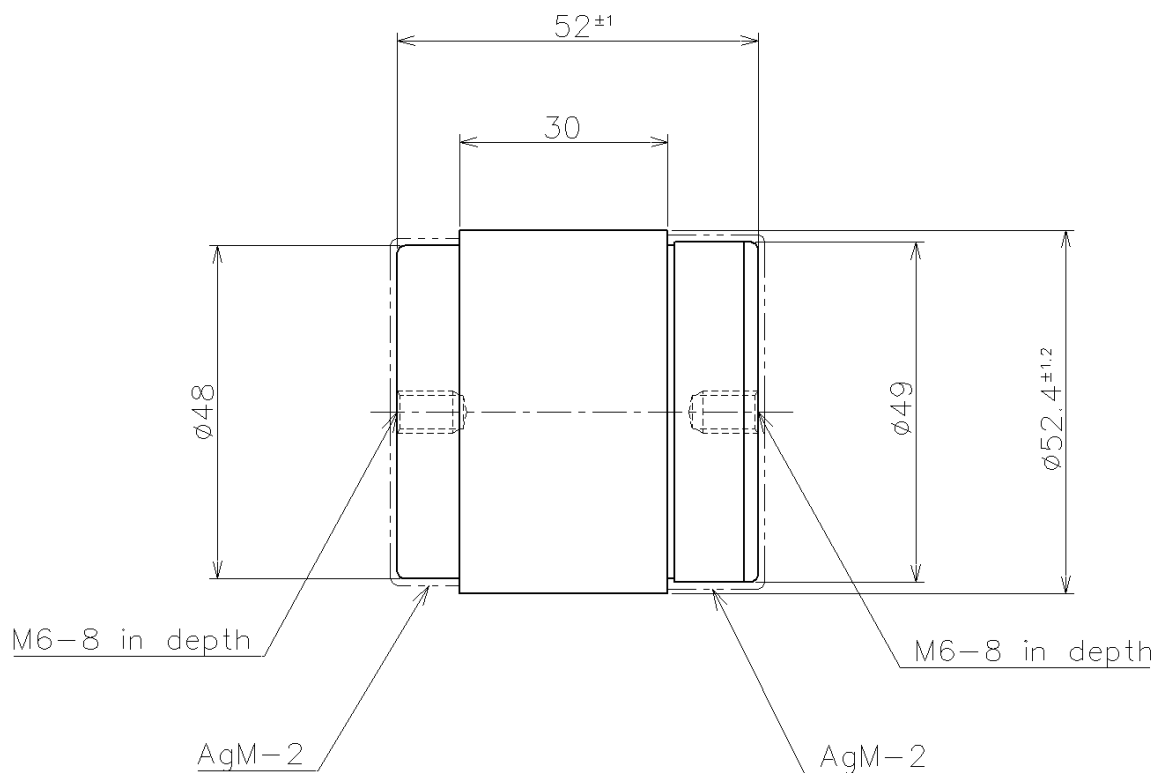
Fixed Type Vacuum Capacitor(FH52 Type)

## Specification

Peak Test Voltage	15 kVp (at 50,60 Hz/ 1 minute)
Working Voltage	9 kVp
Capacitance	100 pF
Maximum Current	54 Arms (at 13.56 MHz) 50 W (Conduction Cooling)
Total Length	52 mm
Outer Diameter	φ 52.4 mm
Mounting Length	52 mm
Weight	0.4 kg



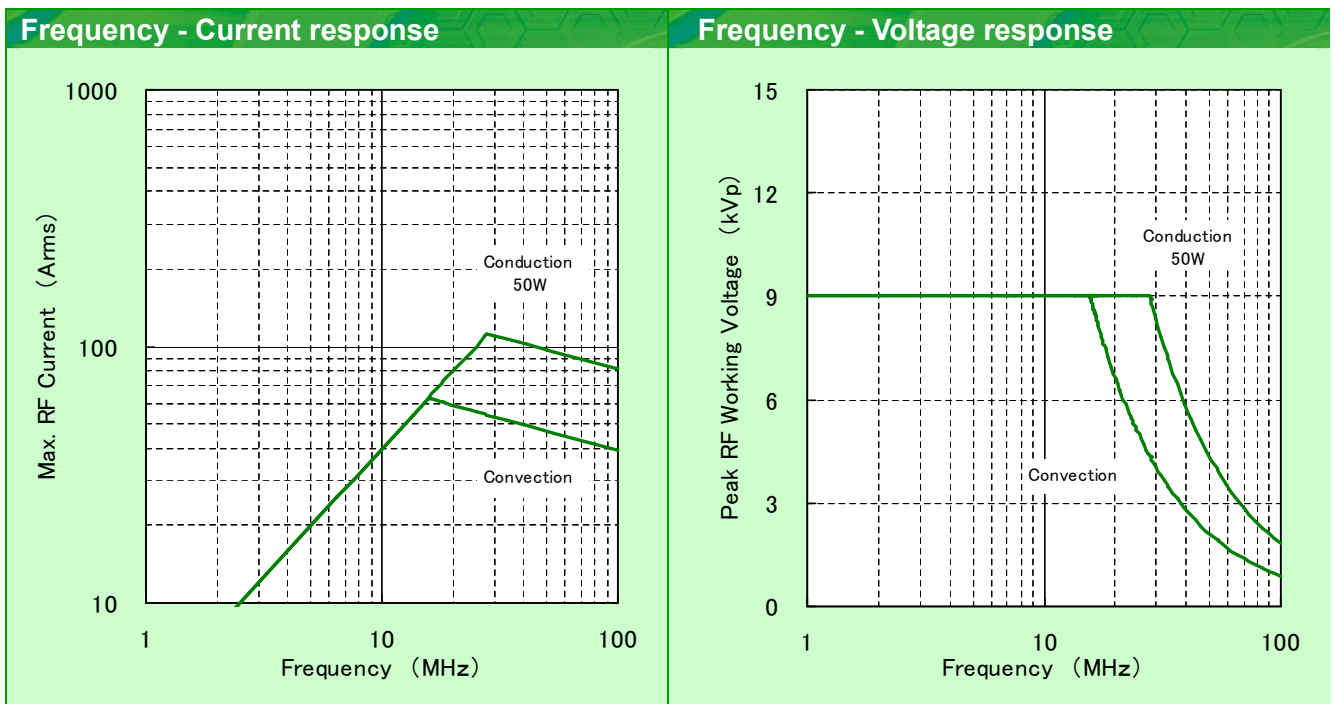
## Drawing



# SCF-151H52WR

MEIDEN

Fixed Type Vacuum Capacitor(FH52 Type)



## Notice:

- Current collecting system: Capacitor both-end full-face collection.
- Cooling System: Conduction Cooling 50W.
- Permissible surface temperature: 125°C.  
(The surface temperature changes with current collecting conditions and ambient temperature.)
- Ambient temperature: 25°C.

In regard to queries about these products, please contact below.

## MEIDENSHA CORPORATION

Vacuum device Sales Department: ThinkPark Tower 2-1-1 Osaki, Shinagawa-ku, Tokyo, 141-6029 Japan

Phone: 81-3-6420-7590 Facsimile: 81-3-5745-3058 URL: <http://www.meidensha.co.jp>

As of Apr.,2011