

# SCF-150.5Z

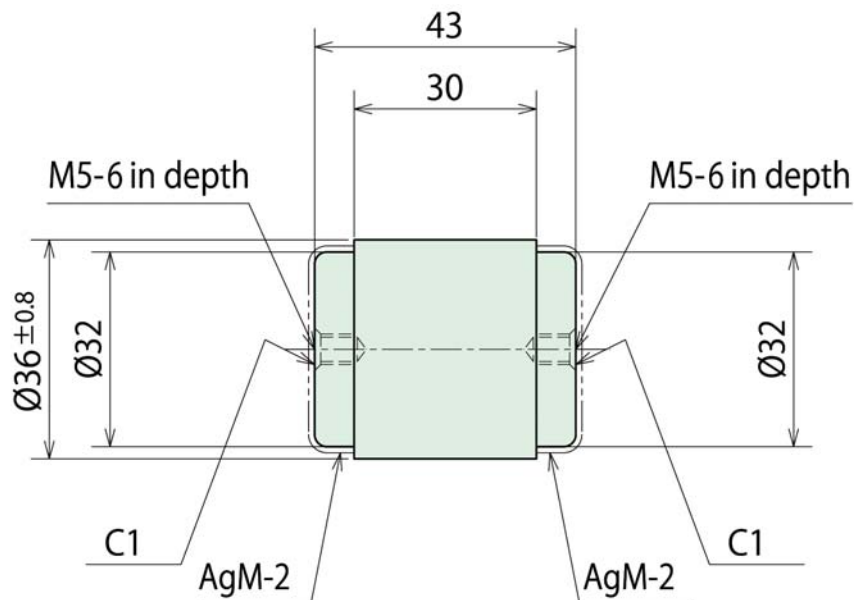
Fixed Type Vacuum Capacitor(FS36 Type)

## Specification

Peak Test Voltage	15kV,peak (at 50,60 Hz/ 1 minute)
RF Working Voltage	9 kV,peak (at 13.56 MHz)
Capacitance	50 pF
Maximum Current	27 A,rms (at 13.56 MHz)
Total Length	43 mm
Outer Diameter	φ36 mm
Mounting Length	43 mm
Weight	0.13 kg

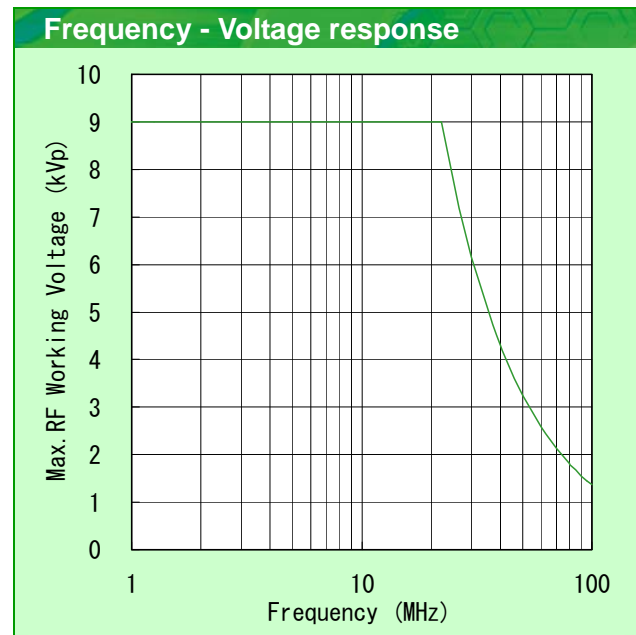
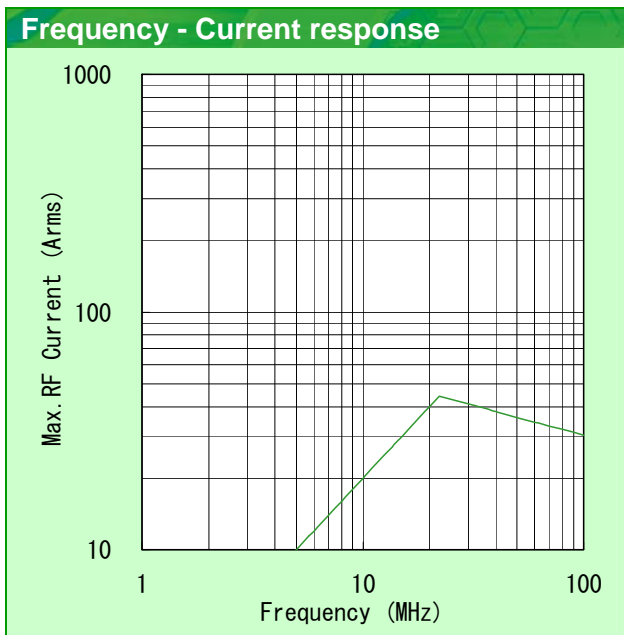


## Drawing



# SCF-150.5Z

Fixed Type Vacuum Capacitor(FS36 Type)



**Notice:**

- Current collecting system: Capacitor both-end full-face collection.
- Cooling System: Convection.
- Permissible surface temperature: 125°C.  
(The surface temperature changes with current collecting conditions and ambient temperature.)
- Ambient temperature: 25°C.

**MEIDENSHA CORPORATION**

ThinkPark Tower 2-1-1 Oosaki, Shinagawa-ku, Tokyo, 141-6029 Japan

Phone: 81-3-6420-7510 Facsimile: 81-3-5745-3053 URL: [www.meidensha.co.jp](http://www.meidensha.co.jp)