

# SCF-201.5C

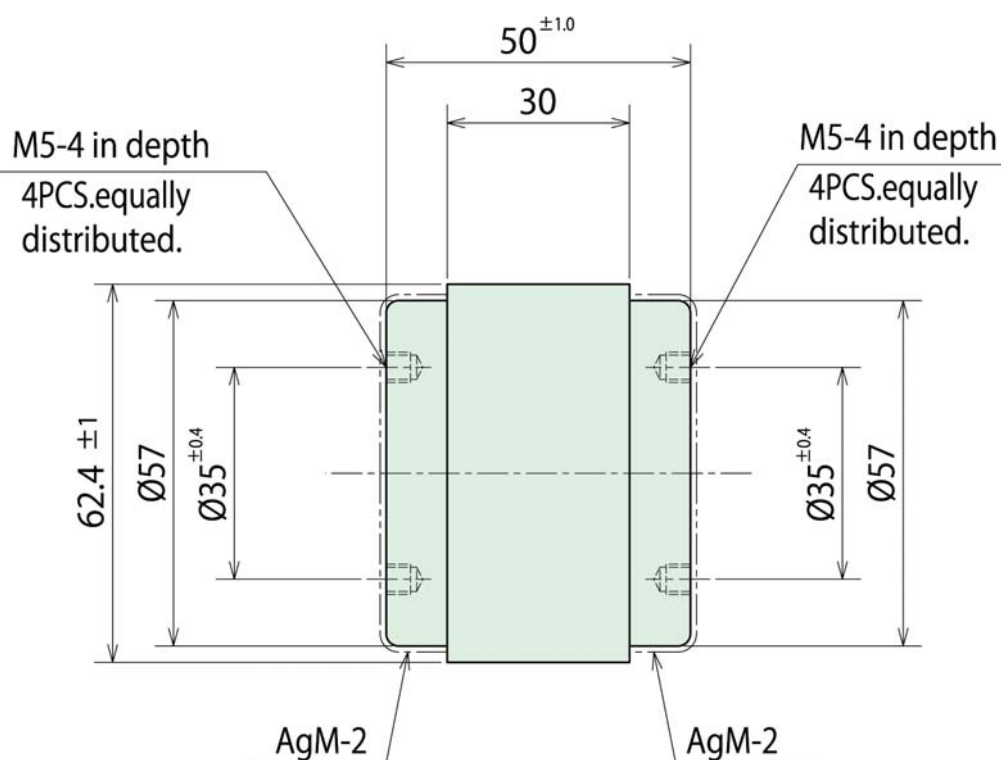
Fixed Type Vacuum Capacitor(FC62 Type)

## Specification

Peak Test Voltage	20kV,peak (at 50,60 Hz/ 1 minute)
RF Working Voltage	12 kV,peak (at 13.56 MHz)
Capacitance	150 pF
Maximum Current	100 A,rms (at 13.56 MHz)
Total Length	50 mm
Outer Diameter	φ62.4 mm
Mounting Length	50 mm
Weight	0.6 kg

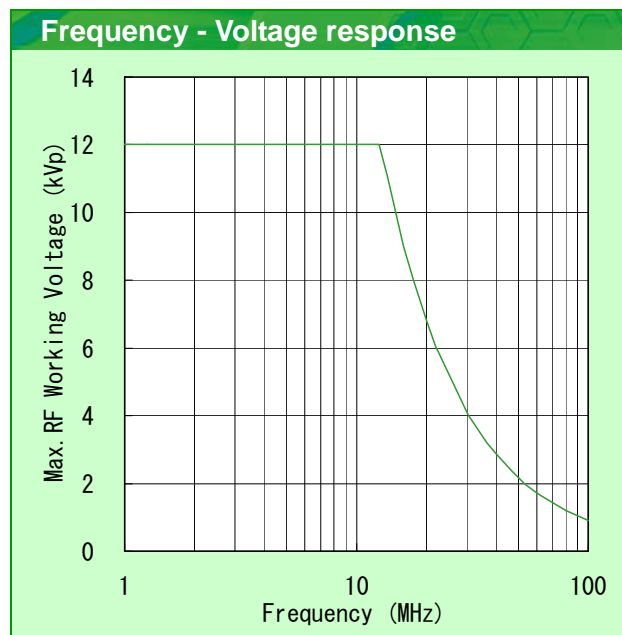
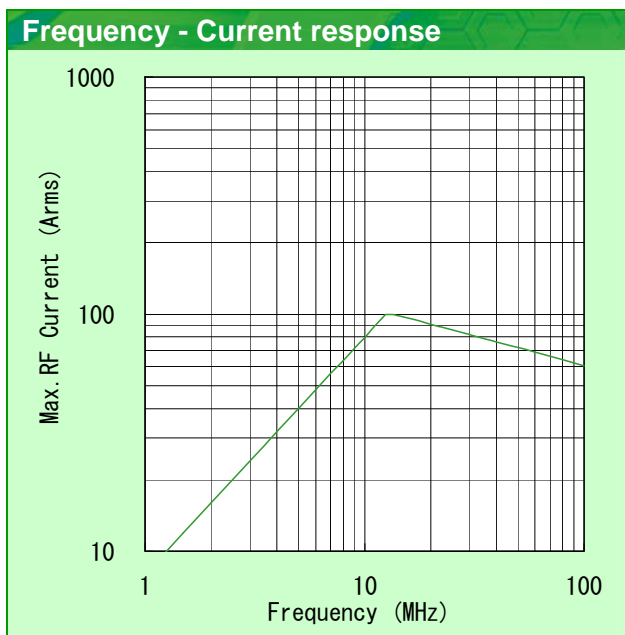


## Drawing



# SCF-201.5C

Fixed Type Vacuum Capacitor(FC62 Type)



**Notice:**

- Current collecting system: Capacitor both-end full-face collection.
- Cooling System: Convection.
- Permissible surface temperature: 125°C.  
(The surface temperature changes with current collecting conditions and ambient temperature.)
- Ambient temperature: 25°C.

## MEIDENSHA CORPORATION

ThinkPark Tower 2-1-1 Oosaki, Shinagawa-ku, Tokyo, 141-6029 Japan

Phone: 81-3-6420-7510 Facsimile: 81-3-5745-3053 URL: [www.meidensha.co.jp](http://www.meidensha.co.jp)