

SCF-151CA

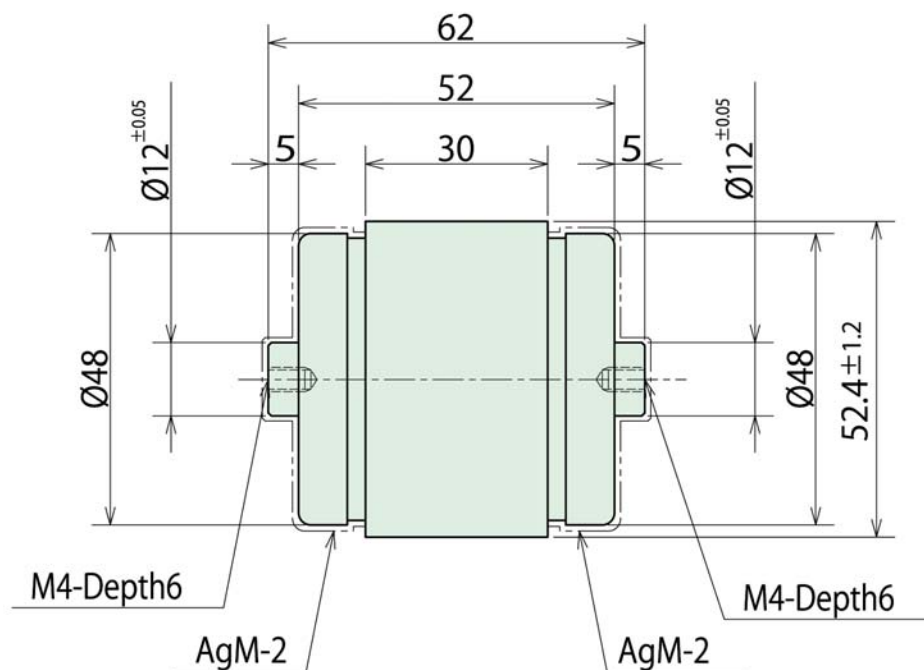
Fixed Type Vacuum Capacitor(FC52A Type)

Specification

Peak Test Voltage	15kV,peak (at 50,60 Hz/ 1 minute)
RF Working Voltage	9 kV,peak (at 13.56 MHz)
Capacitance	100 pF
Maximum Current	54 A,rms (at 13.56 MHz)
Total Length	62 mm
Outer Diameter	φ52.4 mm
Mounting Length	62 mm
Weight	0.5 kg

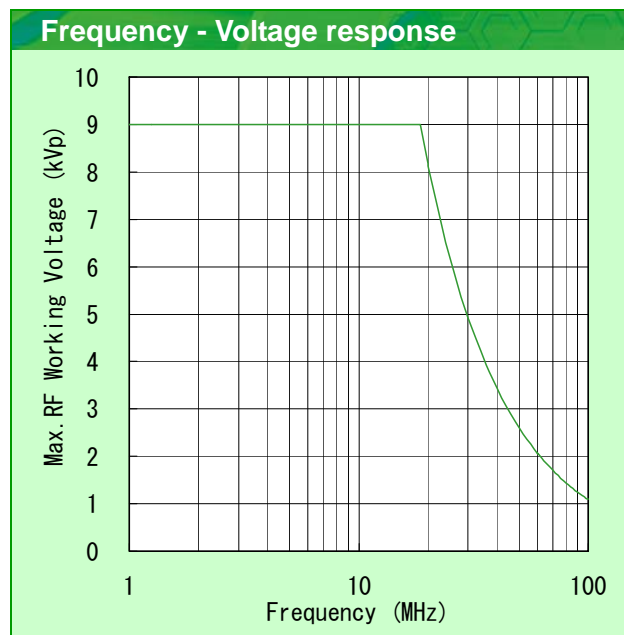
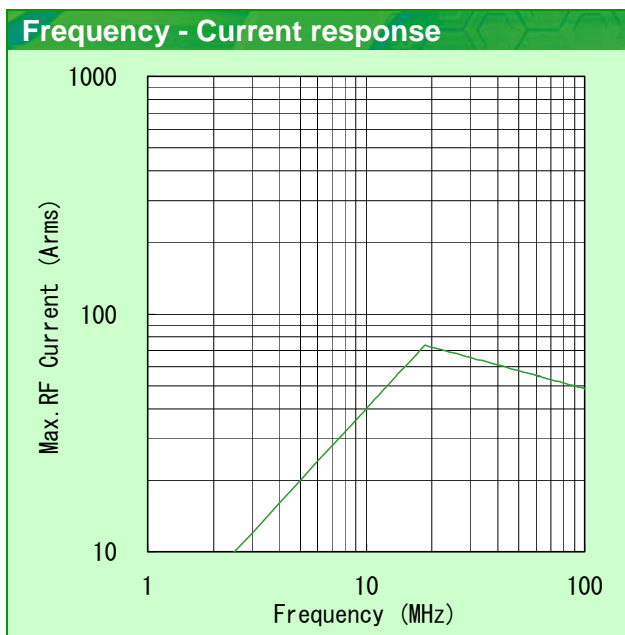


Drawing



SCF-151CA

Fixed Type Vacuum Capacitor(FC52A Type)



Notice:

- Current collecting system: Capacitor both-end full-face collection.
- Cooling System: Convection.
- Permissible surface temperature: 125°C.
(The surface temperature changes with current collecting conditions and ambient temperature.)
- Ambient temperature: 25°C.

MEIDENSHA CORPORATION

ThinkPark Tower 2-1-1 Oosaki, Shinagawa-ku, Tokyo, 141-6029 Japan

Phone: 81-3-6420-7510 Facsimile: 81-3-5745-3053 URL: www.meidensha.co.jp